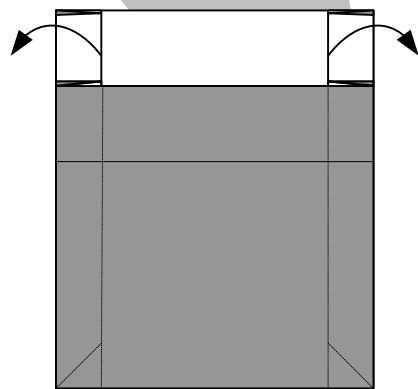


GP ENVELOPE

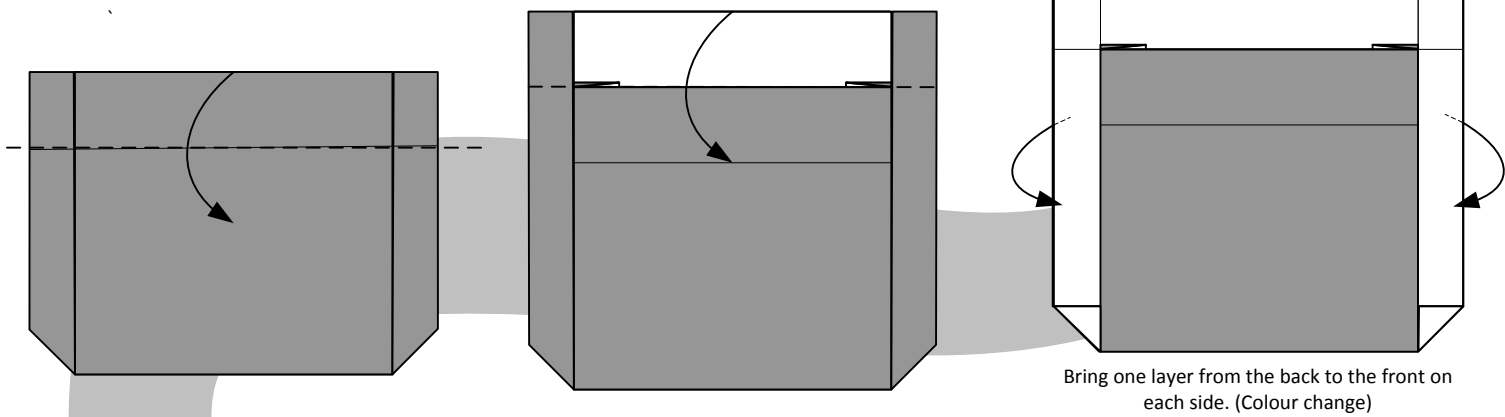
Model and Diagrams by Dennis Walker

This is a general purpose envelope that can be made to suit any size of insert, as long as you start with a rectangle that is wider than the length of the insert and taller than twice the height. Note that the borders don't have specific sizes, but I'd recommend at least 2cm (or about an inch).

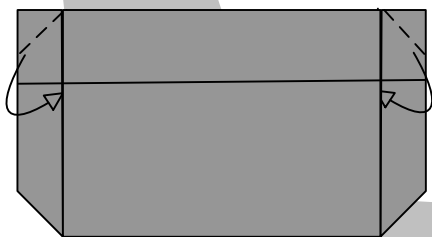
This would make the ideal starting rectangle at least $(L + 40 \text{ mm})$ by $(2H + 60 \text{ mm})$. The envelope could even be long and thin if you wish!



Fold out the back pleats as shown.



Bring one layer from the back to the front on each side. (Colour change)



Tuck top flap under and swivel



Tuck sides in

